

Serie F.400



BRONZE SWING CHECK VALVE

F.420



The valves F.420 are threaded swing check valves, with a bronze body, manufactured in accordance with the most severe product norms, and in conformity with the quality requirements of EN ISO 9001.

They are suitable for heating and conditioning (HVAC), water treatments and distribution, agricultural and industrial applications

YES: for installing in a horizontal position. Low head losses.

NO: for steam and gas.

Application fields



WATER



CONDITIONING



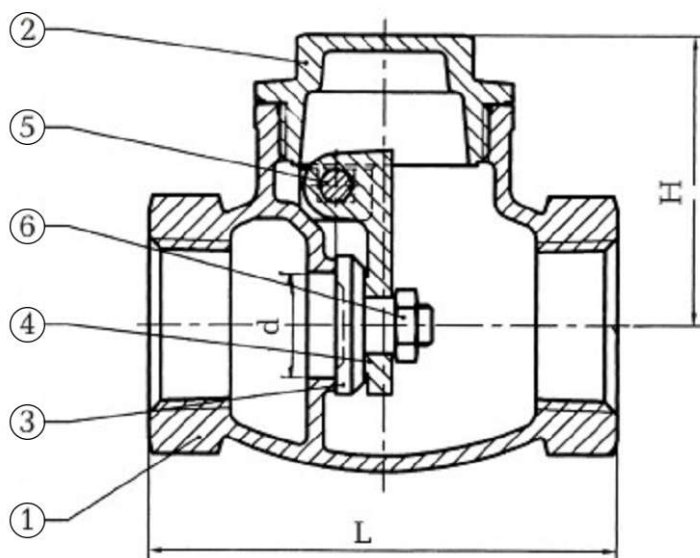
INDUSTRY



HEATING



www.flowsureglobal.com.tr



Materials

	Component	Material
1	Body	CC491K - Bronze
2	Bonnet	CC491K - Bronze
3	Disc	CC491K - Bronze
4	Hinge	CW617N - Brass
5	Stem	2Cr13 - Stainless Steel
6	Nut	CW617N - Brass

Dimensions (mm)

DN	15	20	25	32	40	50
d	13	19	25	32	39	50
L	58	66	76	88	96	112
H	37	43	49	57.5	63	72

Weight (kg)

	0.25	0.38	0.6	0.87	1.15	1.8
--	------	------	-----	------	------	-----

Certificates



Standards

Design : BS EN 5154
 Thread Standard : EN ISO 7
 Tests : TS EN 12266-1
 Nominal Pressure: PN20
 Temperature: -10 ~ 170°C

Instruction and Recommendations

STORING

Keep in dry and closed place.

RECOMMENDATIONS

Before carrying out maintenance or dismantling the valve:

- Ensure that the pipes, valves and fluids have cooled down
- That the pressure has decreased, and that the lines and pipes have been drained in case of toxic, corrosive, inflammable or caustic liquids.

Temperatures above 50°C and below 0°C might cause damage to people.

INSTALLATION

- Handle with care
- Water hammers might cause damage and ruptures. Inclination, twisting and misalignments of the piping may subject the installed valve to excessive stresses. It is recommended that elastic joints be used, in order to reduce such effects as much as possible.
- These valves are unidirectional: install in accordance with the flow direction arrow indicated on the body.

DISPOSAL

- For valve operating with hazardous media (toxic, corrosive...) , if there is a possibility of residue remaining in the valve, take due safety precaution and carry out required cleaning operation. Personnel in charge must be trained and equipped with appropriate protection devices.
- Prior to disposal, disassemble the valve and separate the component according to various materials. Please refer to product literature for more information. Forward sorted material to recycling (e.g. metallic materials) or disposal, according to local and currently valid legislation and under consideration of the environment.