

# Serie F.1200



## MOTORIZED BALL VALVE

F.1200



Motorized valves are electro-mechanical shut-off valves used in the automatic control fluids.

The F.1200 is motorized ball valve, 2-way / 3-way with actuator's movement at 90°.

Silence and easy mounting on ball valve.

**YES:** for water up to 120°C

**NO:** for gas and steam

### Application fields



CONDITIONING



HEATING



WATER



INDUSTRY



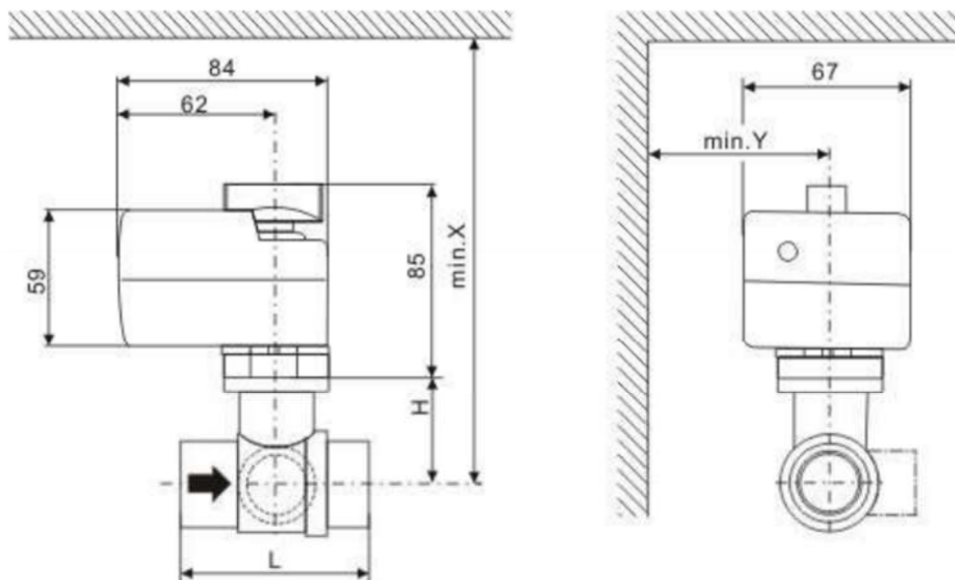
[www.flowsureglobal.com.tr](http://www.flowsureglobal.com.tr)

## Materials

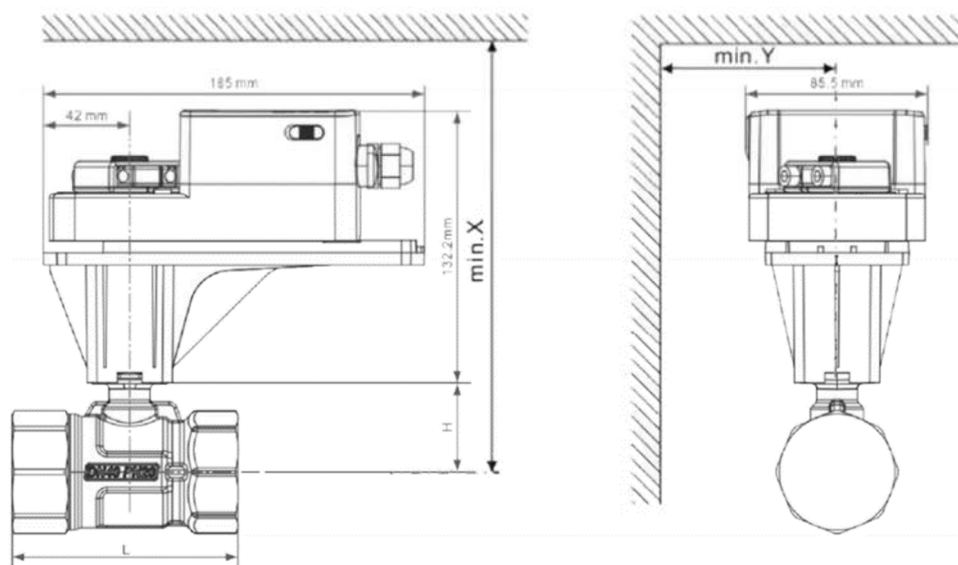
	Component	Material
1	Body	Forged Brass
2	Plug and Stem	Stainless steel
3	Actuator	PC Cover

### ON/OFF, FLOATING – 24VAC/230V, PROPORTIONAL - 24VAC:

#### DN15~DN25



#### DN32~DN50



### Dimensions (mm)

DN	15	20	25	32	40	50
L	60	68	89	102	113	128
H	30	34	38	43.5	48	53
X	190	190	193	208	275	280
Y	75	75	75	86	86	86

### KVs

	4.0	6.3	10	16	25	40
--	-----	-----	----	----	----	----

### Certificates



### Standards

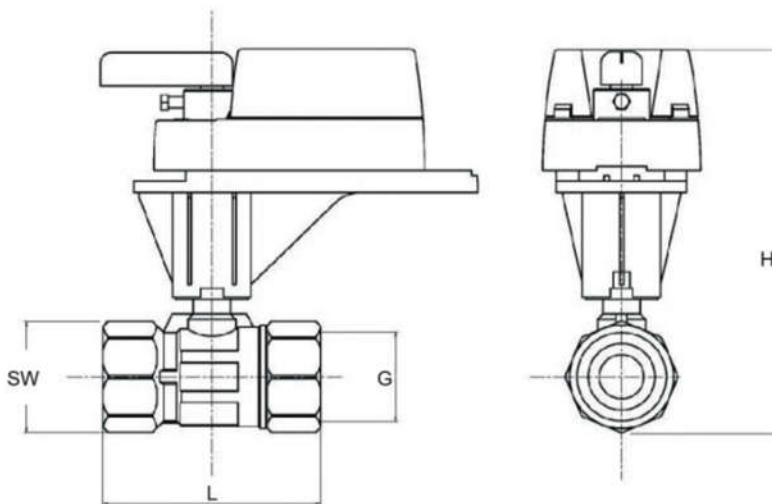
Connection standard : EN10226 GB/T 7306.1-2000

Tests : TS EN 12266-1

Nominal Pressure: PN20

Temperature: - 5 ~ 120°C

## PROPORTIONAL – 230VAC



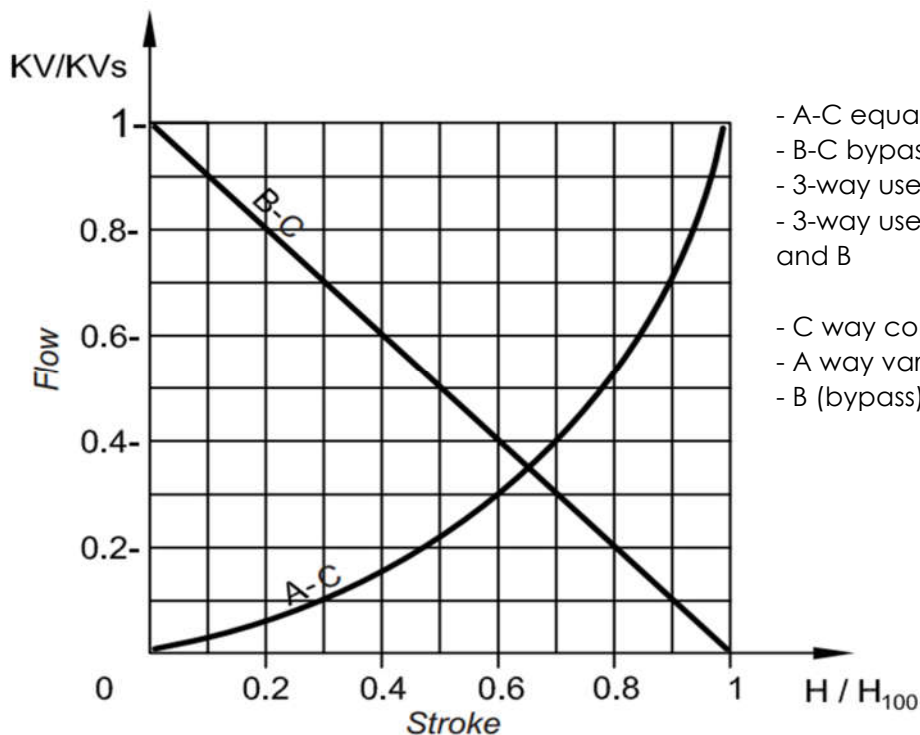
### Dimensions (mm)

DN	15	20	25	32	40	50
L	60	67	89	99	106	128
H	179.2	187.8	193.8	204	212.8	224.7
SW	26	32	39	48	56	70

### KVs

	4.0	6.3	10	16	25	40
--	-----	-----	----	----	----	----

### FLOW CHARACTERISTICS:



- A-C equal-percentage way
- B-C bypass lineare way
- 3-way used as mixing inlet in A and B, outlet C
- 3-way used as diverting inlet in C, outlet from A and B
- C way constant flow
- A way variable flow
- B (bypass) way variable flow

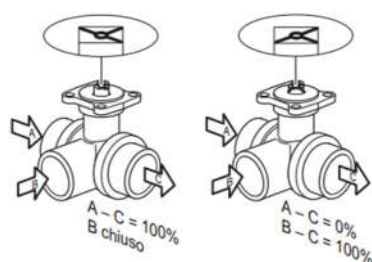
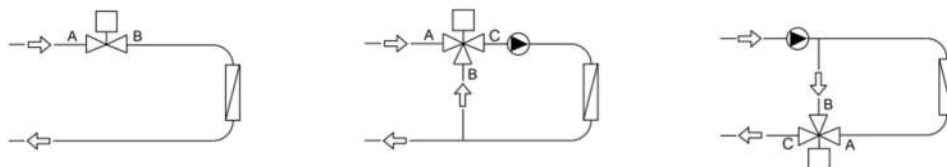
### STORING

- Keep the valve in a dry place, protect from damage and dirt.
- Handle with care, avoid hitting, avoid knocks, especially on the weaker parts.
- Use suitable, sturdy packing for transport.

## RECOMMENDATIONS

Before carrying out maintenance or dismantling the valve: ensure that the pipes, valves and fluids have cooled down, that the pressure has decreased and that the lines and pipes have been drained in case of toxic, corrosive, inflammable and caustic liquids. Temperatures above 50°C and below 0°C might cause damage to people.

## INSTALLATION



- The direction of flow, specified by an arrow on the housing, is to be complied with, since otherwise the ball valve could become damaged. Please ensure that the ball is in the correct position (marking on the spindle)
- Do not lift the valve by the actuator.
- Handle with care
- Before installing, check that:
  - the piping is clean,
  - the valve is clean and undamaged,
  - the threads are clean and undamaged.
- Ensure that the electrical data of the valve's actuator corresponds to the electrical data of the supply.
- Do not use with fluids which are petroleum based or containing mineral oil, hydrocarbons, or solvents. Do not use with abrasive fluids.
- Suitable for antifreeze solutions (with minimum 50% water dilution diethylene glycol, ethylene glycol, and propylene glycol).
- Use piping of the same nominal size of the valve.
- The valve must be installed with flow direction same as the arrow on the valve body.

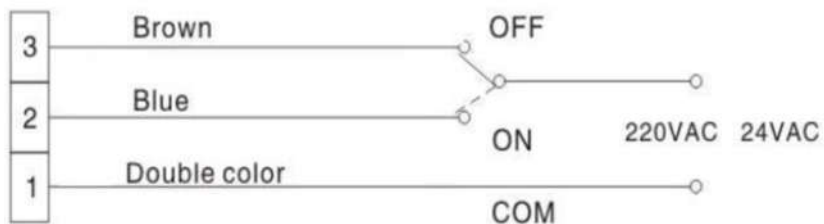
## Actuator

### Specification

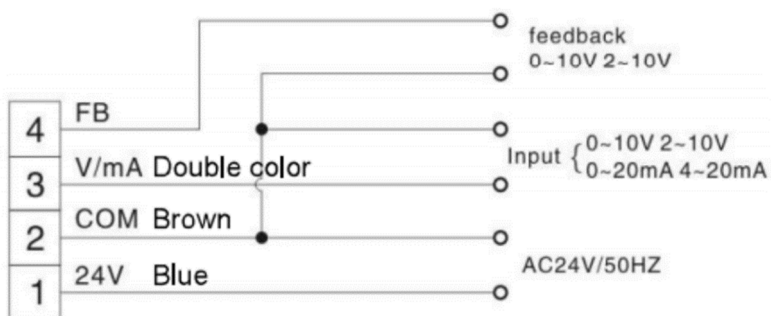
Enclosure	IP54
Power	Single phase 24V AC (Option: 230V AC)
Working range	-10 ~ +50°C
Torque	DN15~DN25: 2 Nm ; DN32~DN50: 10 Nm
Running time	DN15~DN25: 40-50 sec ; DN32~DN50: 95-105 sec
Power	2W
Movement	Rotate 90°
Function	On/Off, Floating (Option: proportional)
Signal (Proportional)	0(2)-10V / 0(4)-20mA

**Wiring**

On/Off, Floating



Proportional - 24VAC



Proportional - 230VAC

